

# JANE

*for the speed demons*

## BUILT-IN TELESCOPING THREAD STAND

This telescoping stand can handle even the largest spools of thread for any size project.

## ROTARY HOOK BOBBIN

Bobbins are easy to access and change quickly. The thread cutter is built in.

## AUTOMATIC NEEDLE THREADER

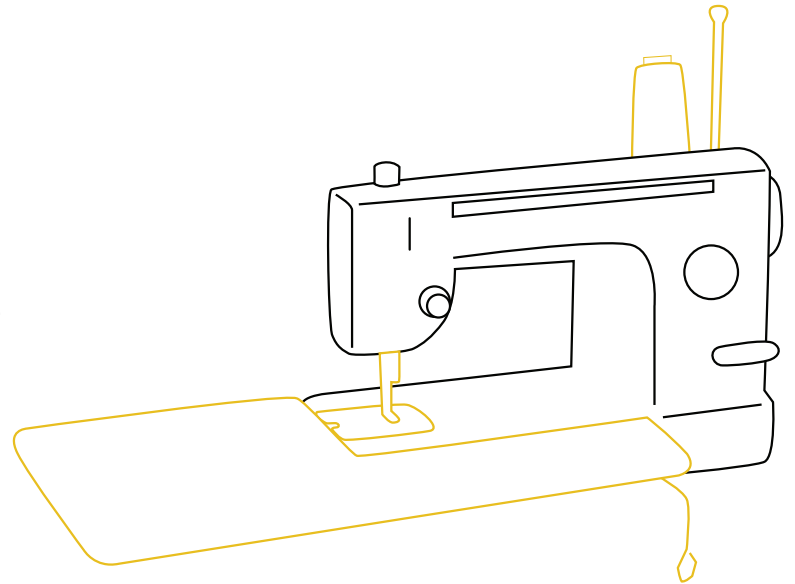
## PRECISION FEED SYSTEM

The Precision Pin Feed System makes it easy to sew on a wide variety of fabric thicknesses.

## QUILTING EXTENSION TABLE

## HANDS-FREE KNEE LIFT

Eliminate errors with the detachable presser foot lift, which raises the presser foot with a tap of the knee, leaving both hands free to quilt.



## WARRANTY

25 year limited  
manufacturer  
10 year parts  
5 year electrical  
1 year labor

**1,500 STITCHES PER MINUTE  
STITCH LENGTH 0.0MM - 7.0MM**



## ACCESSORY FEET INCLUDE

Free-motion quilting  
General purpose  
Invisible zipper  
1/4"  
Rolled hem  
Walking  
Zipper  
Seam guide